

Pipecleaner Spider Woggle

You need:

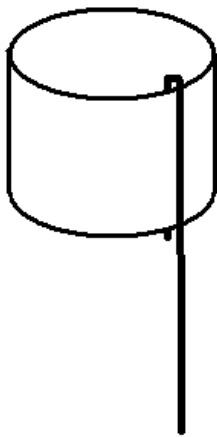
1 PVC ring painted black
($\frac{3}{4}$ " length of $\frac{3}{4}$ " pipe)

4 short black pipecleaners (6")

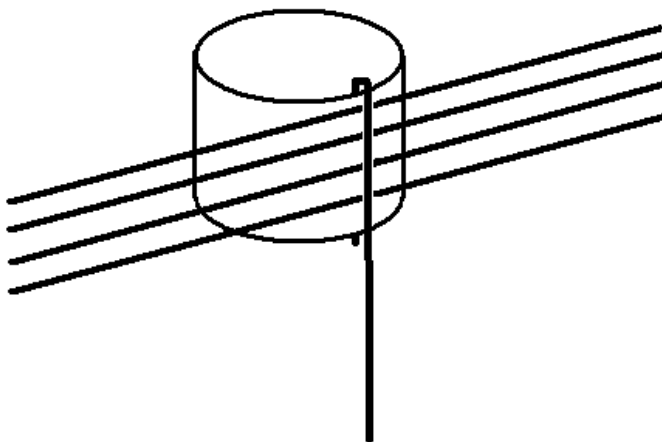
2 long black pipecleaners (12")

Steps:

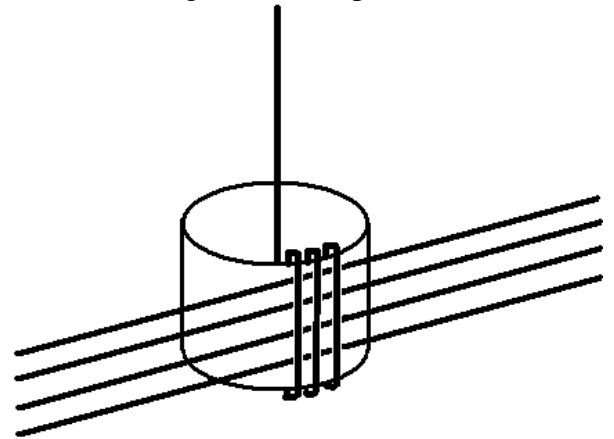
1. Put one long pipecleaner inside the ring and fold it over the edge outside.



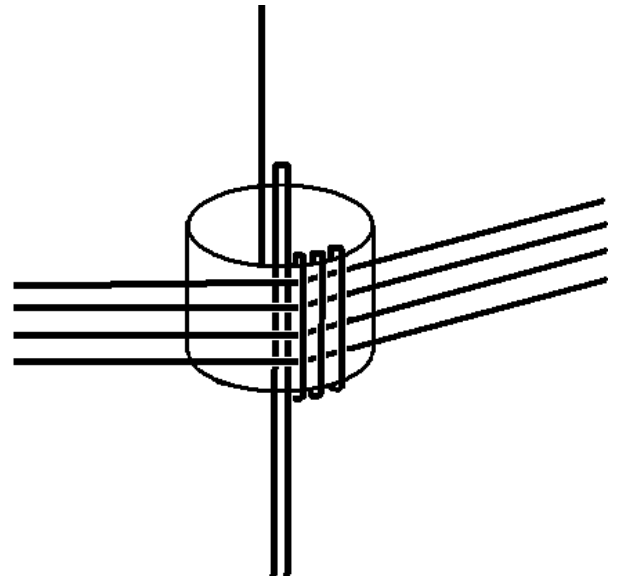
2. Line up the four short pipecleaners and put them under the long pipe cleaner lying across the ring.



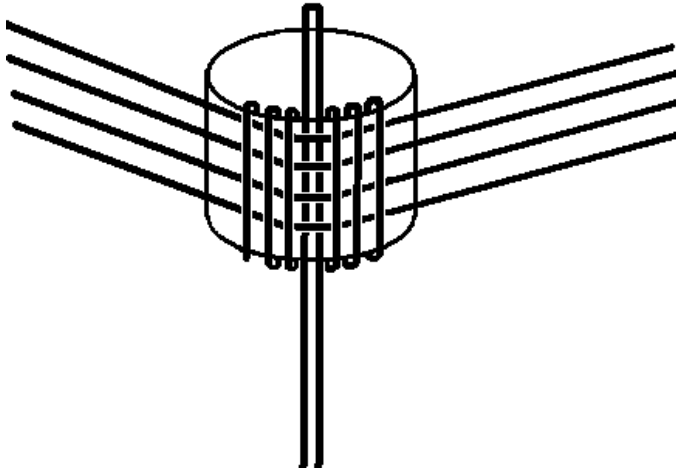
3. Run the long pipecleaner around through the ring again until you have 3 wraps over the outside holding the 4 short pieces on.



4. Fold the other long pipecleaner in half and tuck it in BEHIND the four short pieces right against the plastic. Leave about 1" sticking out on one side and the rest sticking out on the other side.

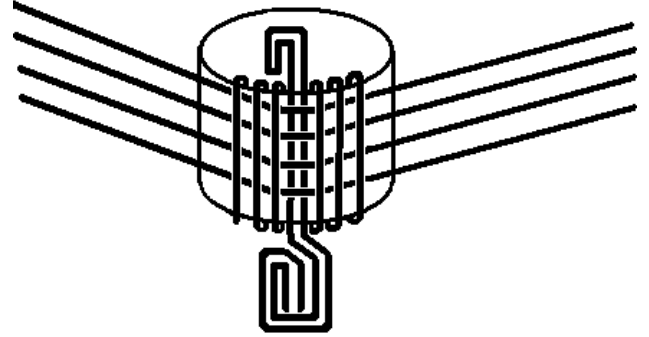


5. Finish wrapping the long pipecleaner in and around the ring on the other side of the folded cross-piece. It should go about three more wraps.

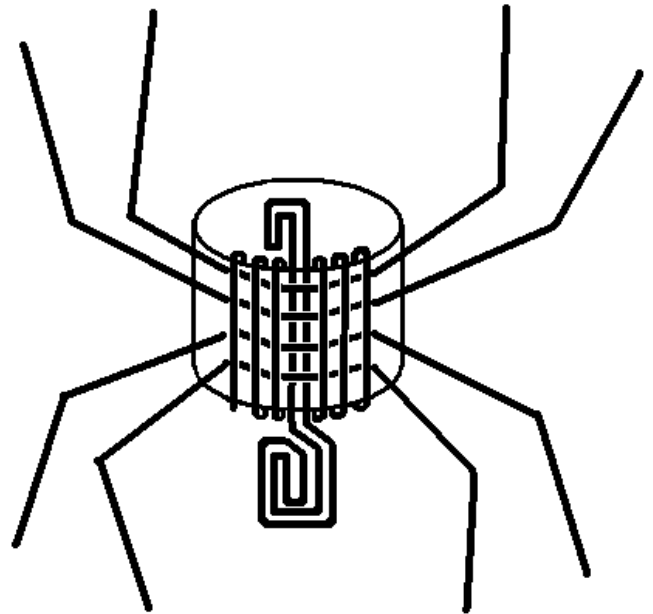


6. Fold the 1" end of the cross piece in half back toward the ring to make the spider head.

7. Roll the other end of the cross piece 2 or 3 times back toward the ring to make the back section of the spider.



8. Bend each leg up from the body and back down in the middle to shape the legs.



Done!